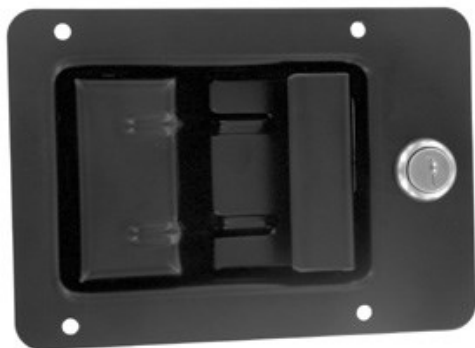


030-0500
Pivoting Catch
Compartment Latch



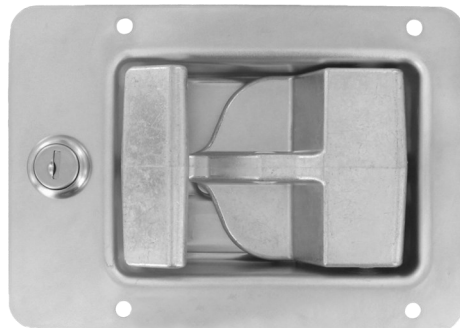
030-0550 Heavy Duty
Pivoting Catch
Compartment Latch



This latch was specifically designed for storage and compartment door for off-road vehicles including agricultural and construction equipment and industrial enclosures. It features a pivoting hook latching design and a reverse paddle design that is suited for top hinged doors and resistance to the insertion of foreign objects.

DESIGNED FOR:

- On or off-highway vehicle applications - construction, mining, agricultural
- Service and utility truck body doors
- Electrical switch and transformer boxes



Global Locations:

TriMark Corporation
500 Bailey Avenue
P.O. Box 350
New Hampton, Iowa 50659
United States
Tel: 641-394-3188
Fax: 641-394-2392
1-800-447-0343
www.trimarkcorp.com

TriMark Europe
Cedar Court
Walker road
Bardon Hill
Coalville LE67 1TU
United Kingdom
Tel: +44(0)1530 512460
Fax: +44(0)1530 512461
www.trimarkeu.com

TriMark (Xuzhou)
Building A5 Jingwu Road
Xuzhou Economic
Development Zone
Xuzhou, Jiangsu
221004 PR China
Tel: +86 516 8773 0018
Fax: +86 516 8773 0058
www.trimarkcn.com



TriMark. Interactive. Product. Selector



TriMark



TriMark Corporation

FEATURES/BENEFITS:

- Pivoting catch allows relative movement between the door and frame when the vehicle frame flexes
- Components are spring loaded internally to minimize effects of vibration
- Reverse paddle design of the compartment latch is suited for top hinged doors and provides resistance to insertion of foreign objects
- Two levels of performance/duty: the heavy duty version (030-0550) provides a higher level of resistance to vibration and wear

AVAILABLE:

- Key locking - keyed alike with most common key codes to match paddle actuators used for operator enclosures
- Non-locking
- Padlockable for increased security
- Optional hole patterns

MATERIAL:

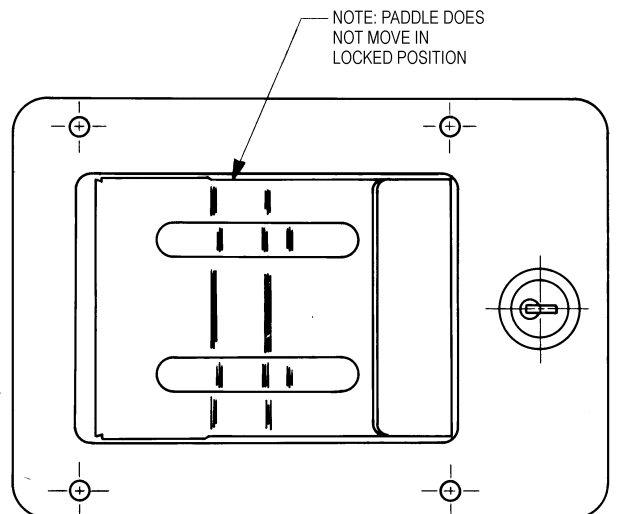
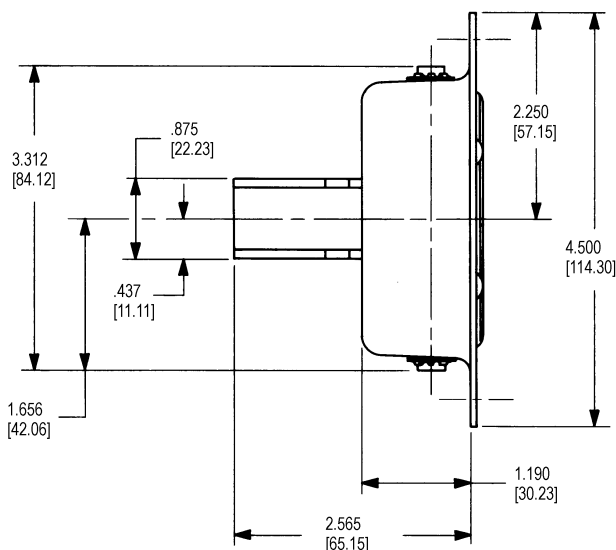
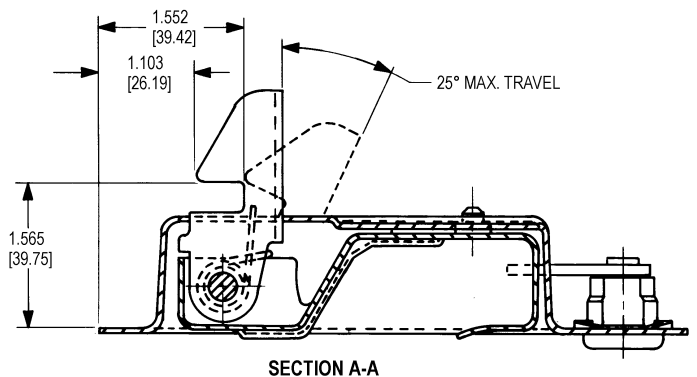
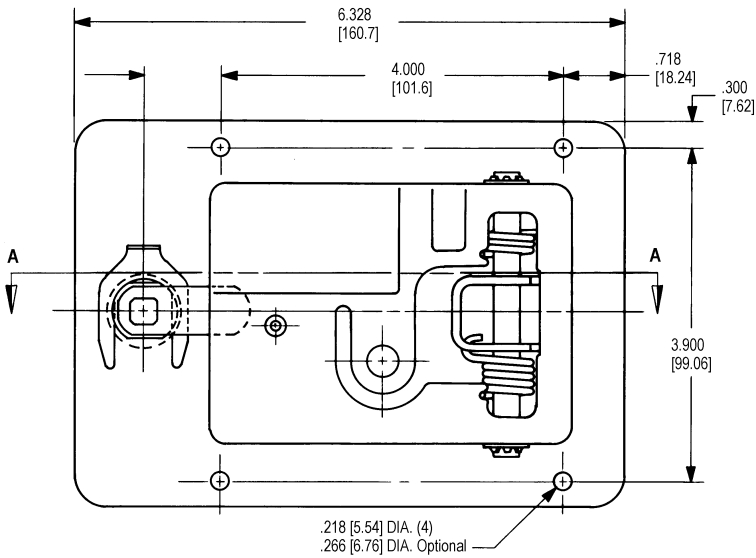
- All steel reinforced construction

FINISH:

- Zinc plate, clear chromate conversion coat for maximum paint adhesion and resistance to rust
- Black powder coat

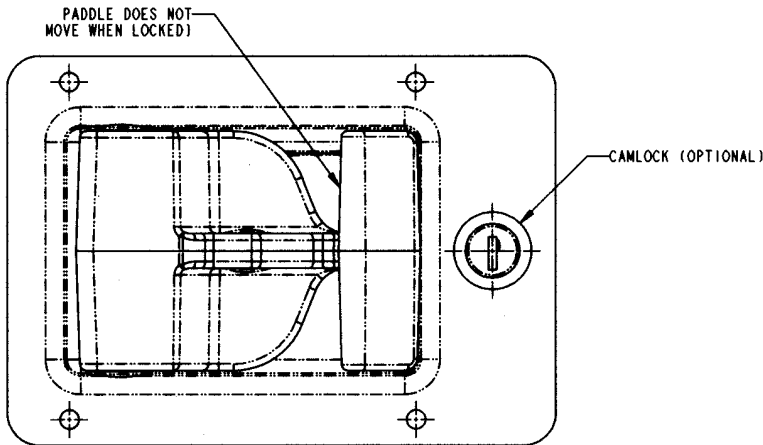
INSTALLATION:

- Lock cylinder may be installed after the latch has been assembled into the door and painted
- (4) 3/16" M4 diameter steel "pop" rivets or 1/4-20 M6 screws (not included)



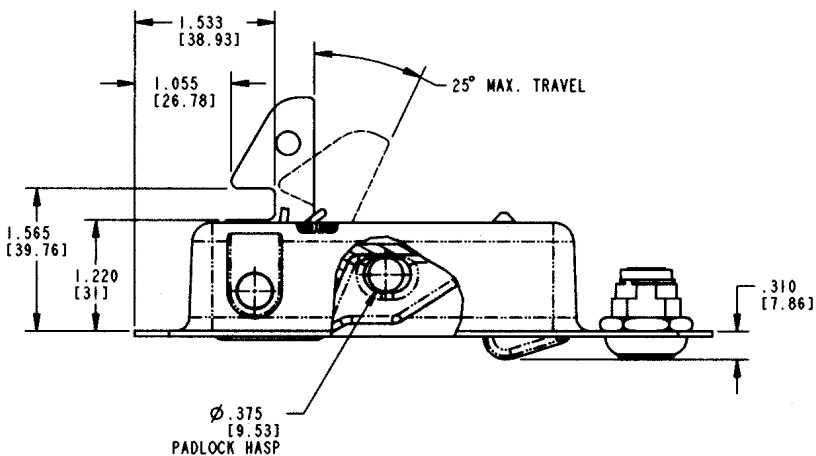
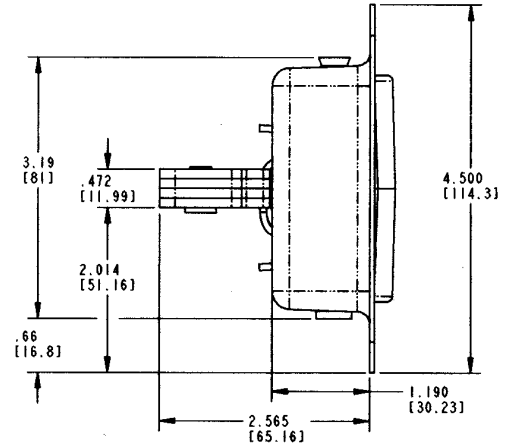
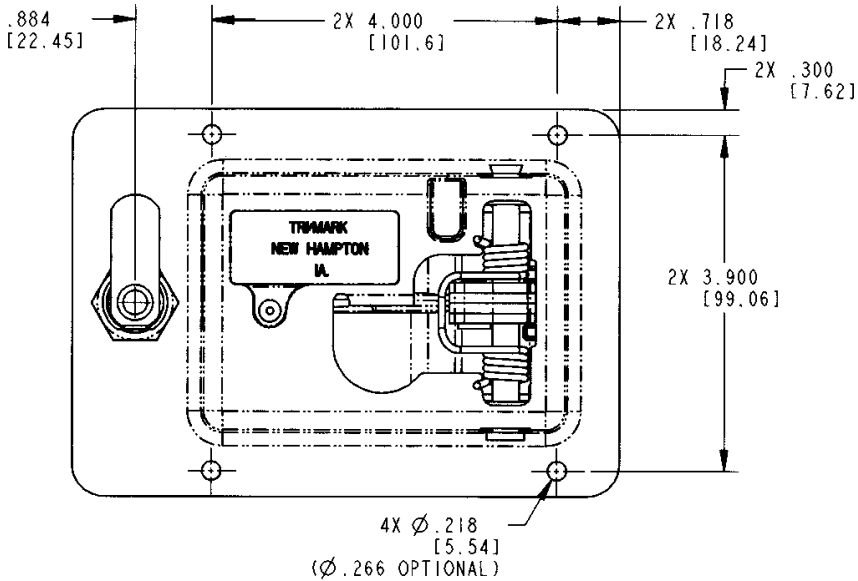
030-0550 FEATURES:

- The high strength steel laminated hook resists wear and increases strength
- Heavy duty zinc die-cast paddle resists deformation
- Retrofits the same cutout as the 030-0500 Pivoting Catch Compartment Latch



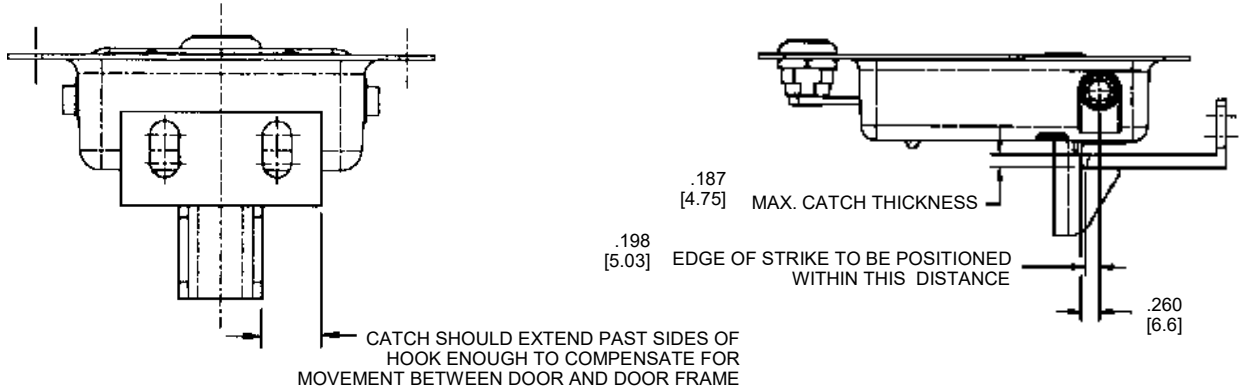
CAUTION: Latch does not meet FMVSS 206 (ECE R11) load requirements.

Individual part dimensions are for reference only. Refer to individual part drawings for complete dimensions, specifications, and installation procedures. Engineering assistance and application drawings are available.



For more information visit
www.trimarkcorp.com

**RECOMMENDATIONS FOR SIZE AND POSITION OF
 STRIKE MADE FROM ANGLE MATERIAL**



**RECOMMENDATIONS FOR SIZE AND POSITION OF
 STRIKE MADE FROM ANGLE MATERIAL**

